

Phase-Aligned Clock Multiplier

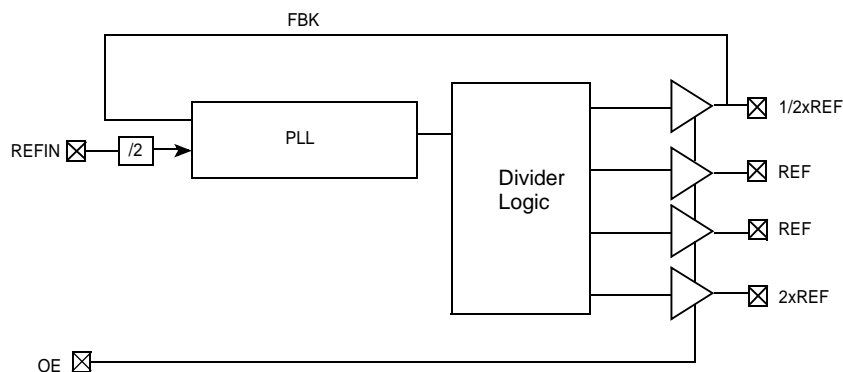
Features

- 4-multiplier configuration
- Single phase-locked loop architecture
- Phase Alignment
- Low jitter, high accuracy outputs
- Output enable pin
- 3.3V operation
- 5V Tolerant input
- Internal loop filter
- 8-pin 150-mil SOIC package
- Commercial Temperature

Benefits

- 1/2x, 1x, 1x, 2x Ref
- 10 MHz to 166.67 MHz operating range (reference input from 20 MHz to 83.33 MHz)
- All outputs have a consistent phase relationship with each other and the reference input
- Meets critical timing requirements
- Enables design flexibility and lower power consumption
- Supports industry standard design platforms
- Allows flexibility on Reference input
- Alleviates the need for external components
- Industry standard packaging saves on board space
- Suitable for wide spectrum of applications

Logic Block Diagram



Pinouts

Figure 1. CY2300 - 8-pin SOIC - Top View

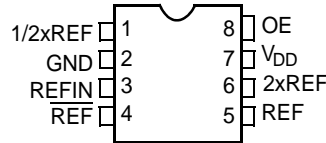


Table 1. Pin Definitions

Pin	Signal ^[1]	Description
1	1/2xREF	Clock output, 1/2x Reference
2	GND	Ground
3	REFIN	Input Reference frequency, 5V tolerant input
4	REF	Clock output Reference
5	REF	Clock output Reference
6	2xREF	Clock output, 2x Reference
7	VDD	3.3V Supply
8	OE	Output Enable (weak pull up)

Functional Description

The CY2300 is a 4-output 3.3V phase-aligned system clock designed to distribute high-speed clocks in PC, workstation, datacom, telecom, and other high-performance applications.

The part allows the user to obtain 1/2x, 1x, 1x and 2x REFIN output frequencies on respective output pins.

The part has an on-chip PLL which locks to an input clock presented on the REFIN pin. The input-to-output skew is guaranteed to be less than ±200 ps, and output-to-output skew is guaranteed to be less than 200 ps.

Multiple CY2300 devices can accept the same input clock and distribute it in a system. In this case, the skew between the outputs of two devices is guaranteed to be less than 400 ps.

The CY2300 is available in commercial temperature range.

Maximum Ratings

Supply Voltage to Ground Potential.....	-0.5V to +7.0V
DC Input Voltage (Except Ref)	-0.5V to V _{DD} + 0.5V
DC Input Voltage REF	-0.5 to 7V
Storage Temperature	-65°C to +150°C
Junction Temperature.....	150°C
Static Discharge Voltage (per MIL-STD-883, Method 3015)	>2000V

Operating Conditions

Parameter	Description	Min	Max	Unit
V _{DD}	Supply Voltage	3.0	3.6	V
T _A	Operating Temperature (Ambient Temperature)	0	70	°C
C _L	Load Capacitance, Fout < 133.33 MHz		18	pF
	Load Capacitance, 133.33 MHz < Fout < 166.67 MHz		12	pF
C _{IN}	Input Capacitance		7	pF
t _{PU}	Power up time for all VDD's to reach minimum specified voltage (power ramps must be monotonic)	0.05	50	ms

Note

- 1. Weak pull down on all outputs.

Electrical Characteristics

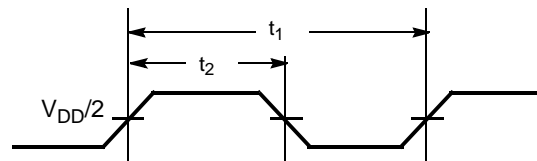
Parameter	Description		Min	Max	Unit
V _{IL}	Input LOW Voltage			0.8	V
V _{IH}	Input HIGH Voltage		2.0		V
I _{IL}	Input LOW Current	V _{IN} = 0V		100	μA
I _{IH}	Input HIGH Current	V _{IN} = V _{DD}		50	μA
V _{OL}	Output LOW Voltage ^[2]	I _{OL} = 8 mA		0.4	V
V _{OH}	Output HIGH Voltage ^[2]	I _{OH} = -8 mA	2.4		V
I _{DD}	Supply Current	Unloaded outputs, REFIN = 66 MHz		45	mA
		Unloaded outputs, REFIN = 33 MHz		32	mA
		Unloaded outputs, REFIN = 20 MHz		18	mA

Switching Characteristics

Parameter	Name	Test Conditions	Min	Typ.	Max	Unit
1/t ₁	Output Frequency	18-pF load	10		133.33	MHz
		12-pF load			166.67	MHz
	Duty Cycle ^[3] = t ₂ ÷ t ₁	Measured at V _{DD} /2	40	50	60	%
t ₃	Rise Time ^[3]	Measured between 0.8V and 2.0V			1.20	ns
t ₄	Fall Time ^[3]	Measured between 0.8V and 2.0V			1.20	ns
t ₅	Output to Output Skew on rising edges ^[3]	All outputs equally loaded Measured at V _{DD} /2			200	ps
t ₆	Delay, REFIN Rising Edge to Output Rising Edge ^[3]	Measured at V _{DD} /2 from REFIN to any output			±200	ps
t ₇	Device to Device Skew ^[3]	Measured at V _{DD} /2 on the 1/2xREF pin of devices (pin 1)			400	ps
t _J	Period Jitter ^[3]	Measured at F _{out} =133.33 MHz, loaded outputs, 18-pF load			±175	ps
t _{LOCK}	PLL Lock Time ^[3]	Stable power supply, valid clocks presented on REFIN			1.0	ms

Switching Waveforms

Figure 2. Duty Cycle Timing



Notes

- 2. Parameter is guaranteed by design and characterization. It is not 100% tested in production.
- 3. All parameters are specified with equally loaded outputs.

Switching Waveforms (continued)

Figure 3. All Outputs Rise/Fall Time

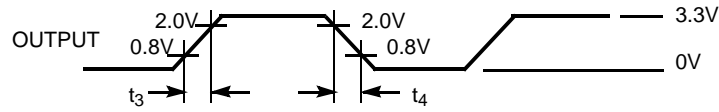


Figure 4. Output-Output Skew

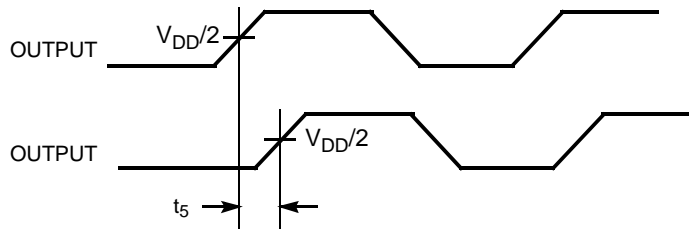


Figure 5. Input-Output Propagation Delay

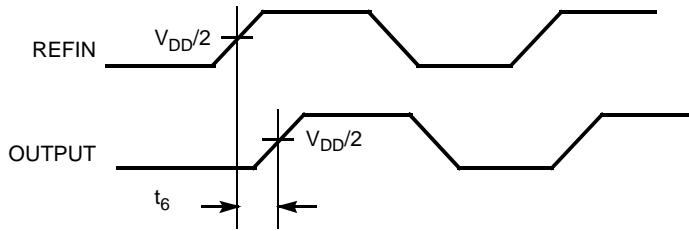
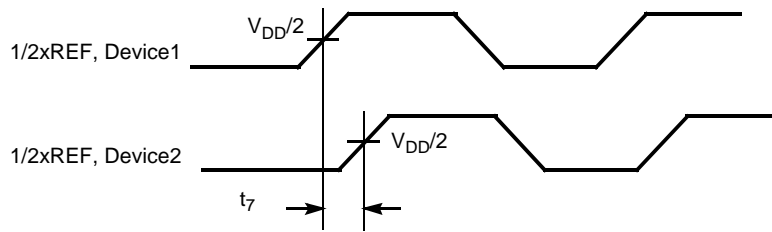
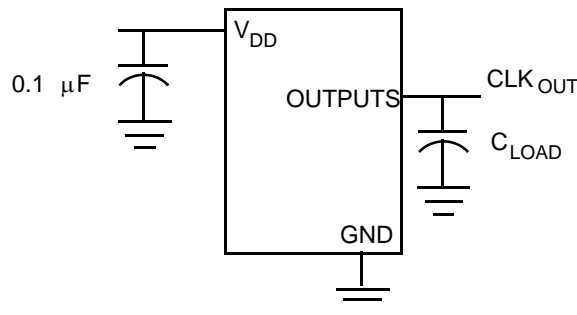


Figure 6. Device-Device Skew



Test Circuits

Test Circuit # 1

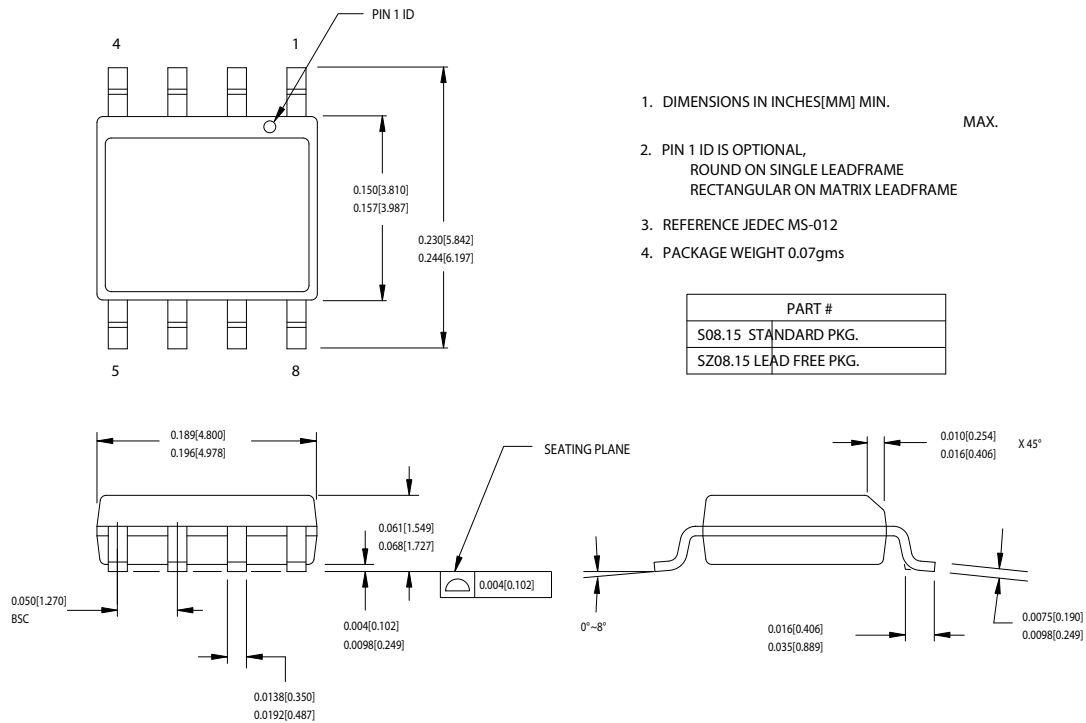


Ordering Information

Ordering Code	Package Type	Operating Range
Pb-Free		
CY2300SXC	8-pin 150-mil SOIC	Commercial
CY2300SXCT	8-pin 150-mil SOIC - Tape and Reel	Commercial

Package Drawing and Dimensions

Figure 7. 8-Pin (150-Mil) SOIC S8



51-85066-°C

Document History Page

Document Title: CY2300 Phase-Aligned Clock Multiplier				
Document Number: 38-07252				
REV.	ECN	Orig. of Change	Submission Date	Description of Change
**	110517	SZV	01/07/02	Change from Spec number: 38-01039 to 38-07252
*A	121854	RBI	12/14/02	Power up requirements added to Operating Conditions Information
*B	246829	RGL	08/02/04	Added Lead Free Devices
*C	2568533	AESA	09/23/08	Updated template. Removed Selector Guide. Removed Operating Conditions for CY2300SI Industrial Temperature Devices. Removed Electrical Characteristics for CY2300SI Industrial Temperature Devices. Removed Switching Characteristics for CY2300SI Industrial Temperature Devices. Removed part number CY2300SC, CY2300SC, CY2300SI, CY2300SI, CY2300SXI and CY2300SXIT.

Sales, Solutions, and Legal Information

Worldwide Sales and Design Support

Cypress maintains a worldwide network of offices, solution centers, manufacturer’s representatives, and distributors. To find the office closest to you, visit us at cypress.com/sales.

Products

PSoC	psoc.cypress.com
Clocks & Buffers	clocks.cypress.com
Wireless	wireless.cypress.com
Memories	memory.cypress.com
Image Sensors	image.cypress.com

PSoC Solutions

General	psoc.cypress.com/solutions
Low Power/Low Voltage	psoc.cypress.com/low-power
Precision Analog	psoc.cypress.com/precision-analog
LCD Drive	psoc.cypress.com/lcd-drive
CAN 2.0b	psoc.cypress.com/can
USB	psoc.cypress.com/usb

© Cypress Semiconductor Corporation, 2002-2008. The information contained herein is subject to change without notice. Cypress Semiconductor Corporation assumes no responsibility for the use of any circuitry other than circuitry embodied in a Cypress product. Nor does it convey or imply any license under patent or other rights. Cypress products are not warranted nor intended to be used for medical, life support, life saving, critical control or safety applications, unless pursuant to an express written agreement with Cypress. Furthermore, Cypress does not authorize its products for use as critical components in life-support systems where a malfunction or failure may reasonably be expected to result in significant injury to the user. The inclusion of Cypress products in life-support systems application implies that the manufacturer assumes all risk of such use and in doing so indemnifies Cypress against all charges.

Any Source Code (software and/or firmware) is owned by Cypress Semiconductor Corporation (Cypress) and is protected by and subject to worldwide patent protection (United States and foreign), United States copyright laws and international treaty provisions. Cypress hereby grants to licensee a personal, non-exclusive, non-transferable license to copy, use, modify, create derivative works of, and compile the Cypress Source Code and derivative works for the sole purpose of creating custom software and or firmware in support of licensee product to be used only in conjunction with a Cypress integrated circuit as specified in the applicable agreement. Any reproduction, modification, translation, compilation, or representation of this Source Code except as specified above is prohibited without the express written permission of Cypress.

Disclaimer: CYPRESS MAKES NO WARRANTY OF ANY KIND, EXPRESS OR IMPLIED, WITH REGARD TO THIS MATERIAL, INCLUDING, BUT NOT LIMITED TO, THE IMPLIED WARRANTIES OF MERCHANTABILITY AND FITNESS FOR A PARTICULAR PURPOSE. Cypress reserves the right to make changes without further notice to the materials described herein. Cypress does not assume any liability arising out of the application or use of any product or circuit described herein. Cypress does not authorize its products for use as critical components in life-support systems where a malfunction or failure may reasonably be expected to result in significant injury to the user. The inclusion of Cypress’ product in a life-support systems application implies that the manufacturer assumes all risk of such use and in doing so indemnifies Cypress against all charges.

Use may be limited by and subject to the applicable Cypress software license agreement.